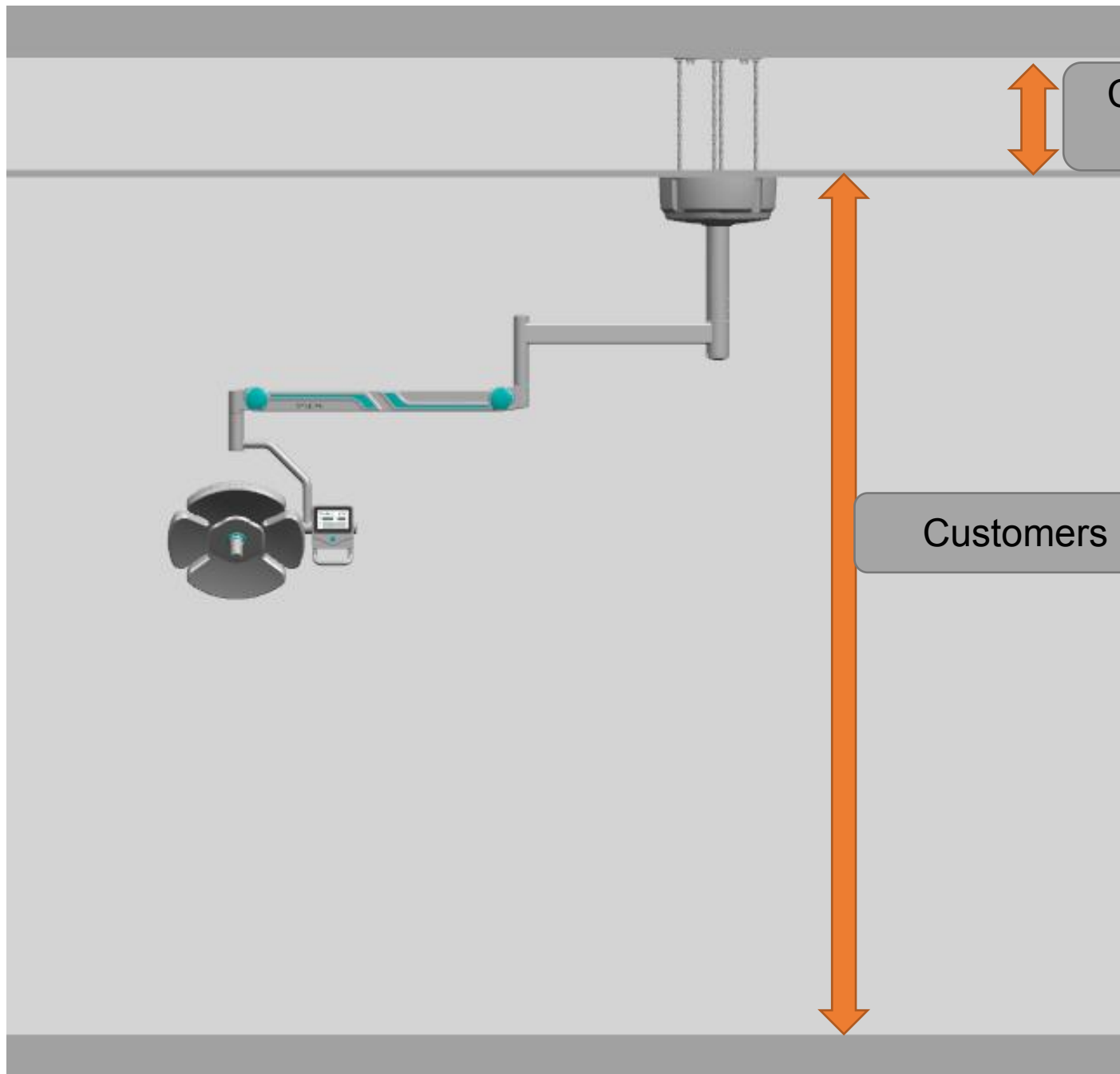


concret

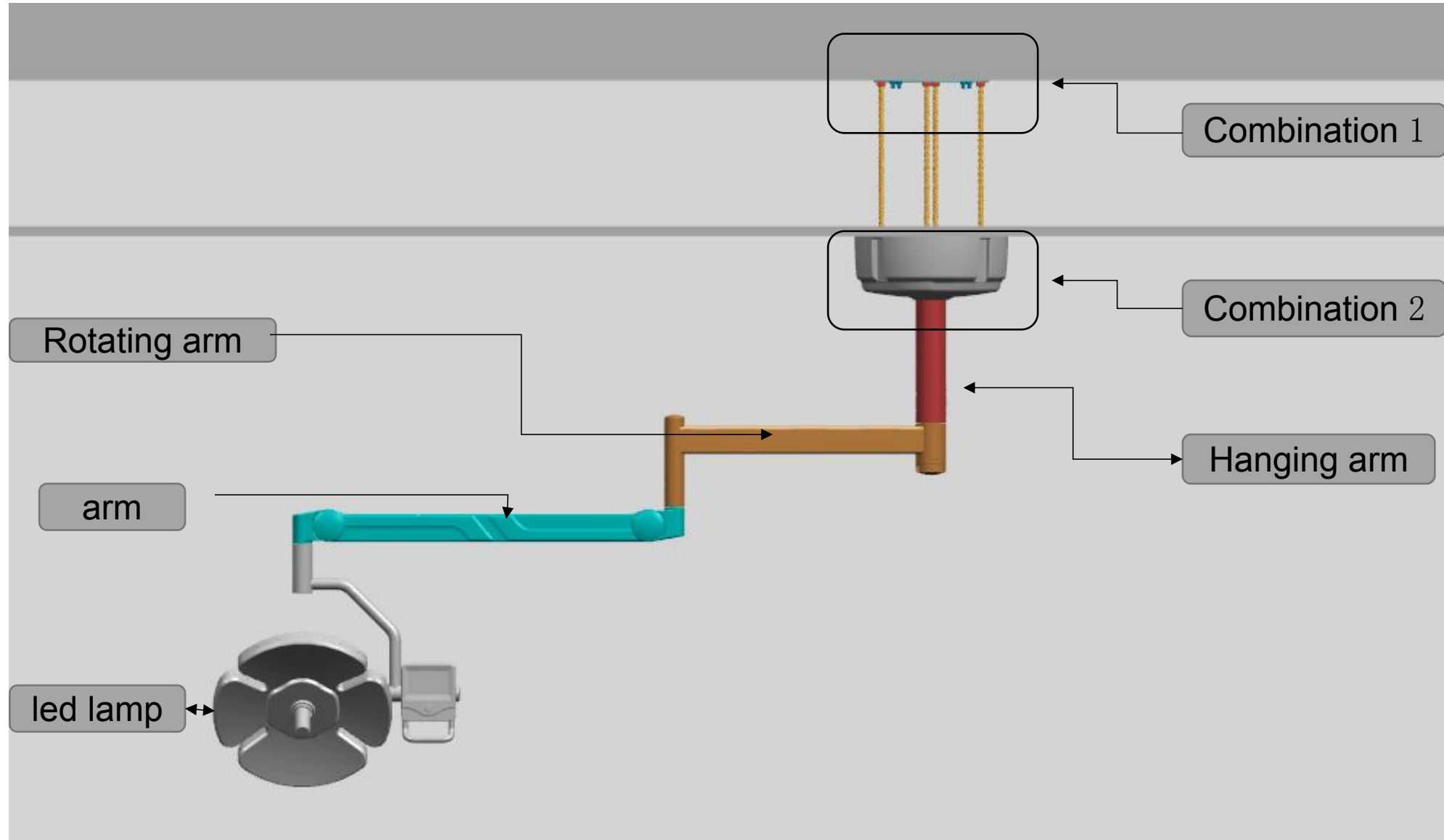
ceiling

floor

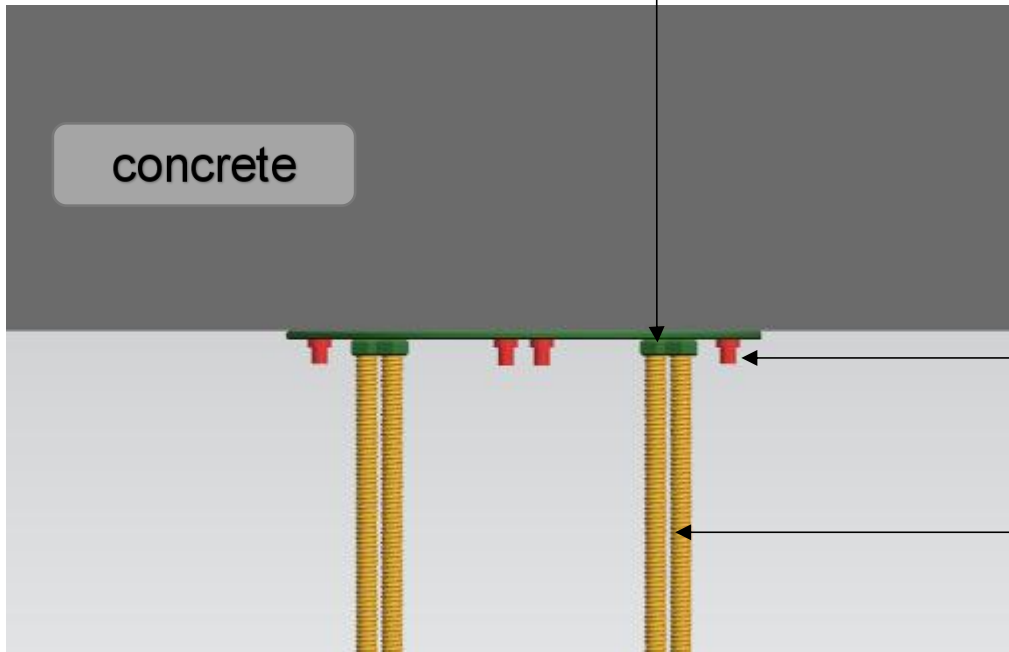


Customers provide distance

Customers provide distance



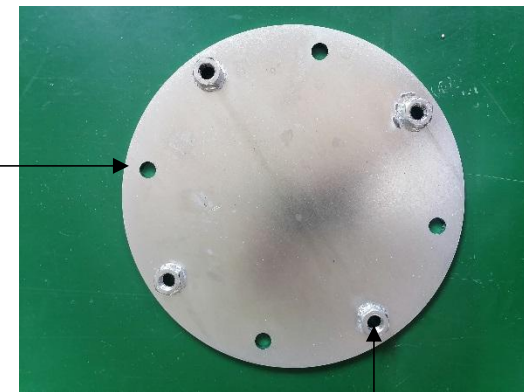
Combination 1



1: Pulls explodes the screws into the concrete



M10 expansion screws



290mm bottom board

2: Install steeve



M14 steeve

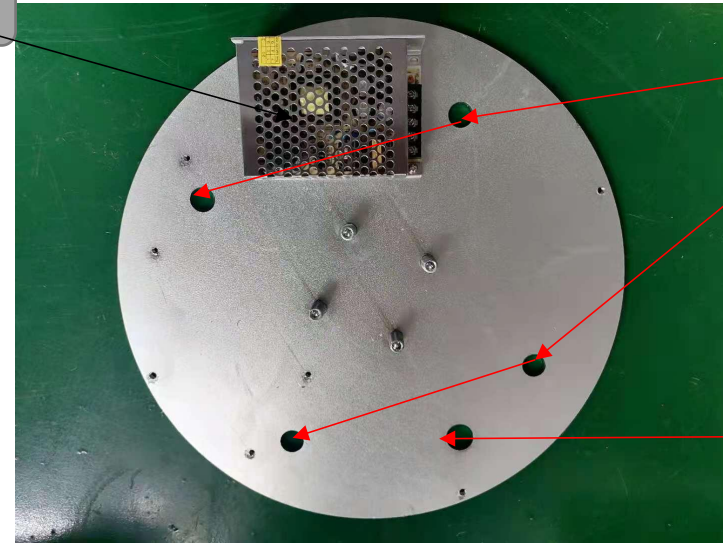
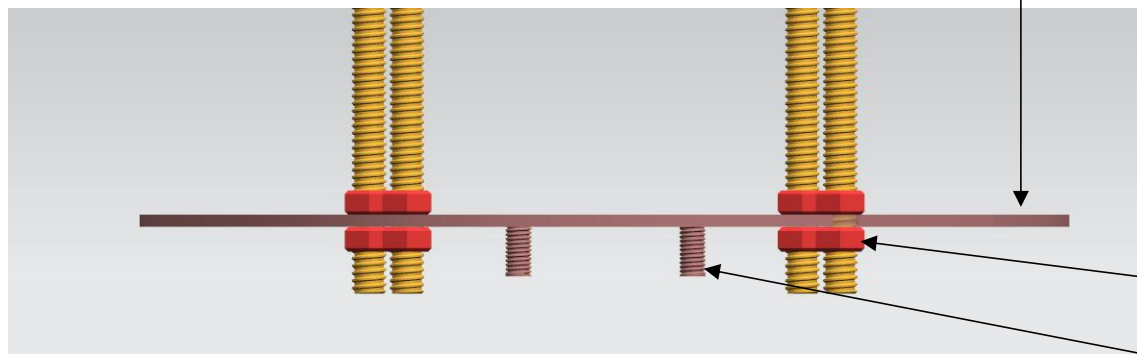
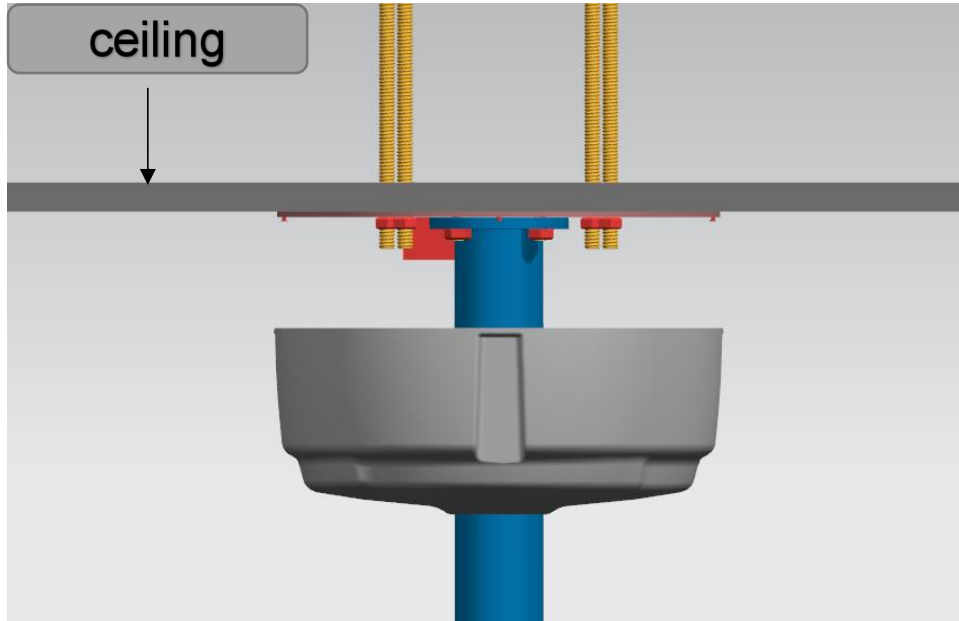
Combination 2

DentalDeal

Electric power

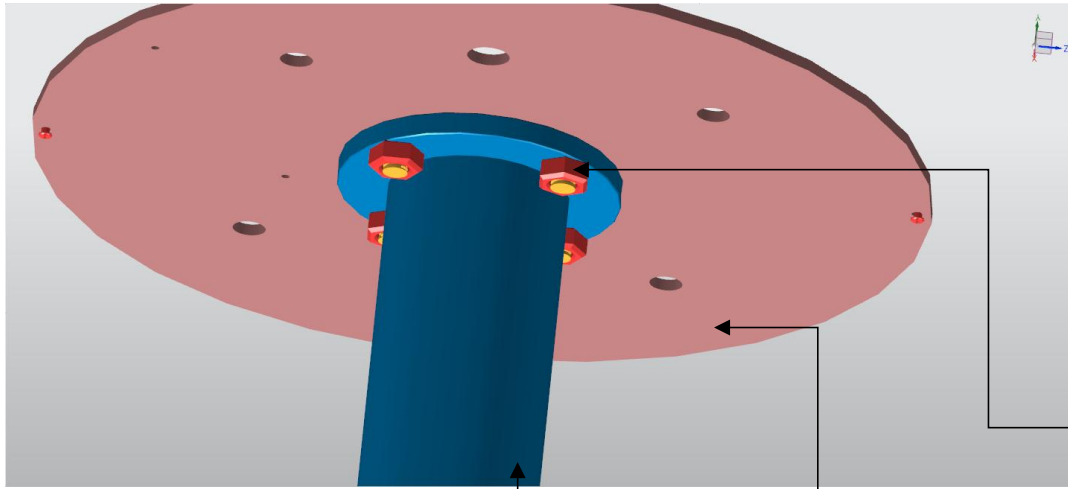
Put steeve into holes

Put wires into hole



1: Make holes on the ceiling according to relevant positions

2: Use the strews of steeve to fix the disk, put the disk down , and then fix the screws



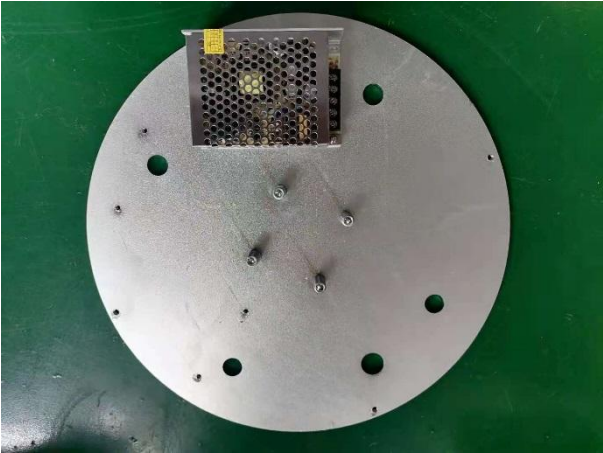
M10 screws



3: Use the screws to fix the hanging arm, and connect the power

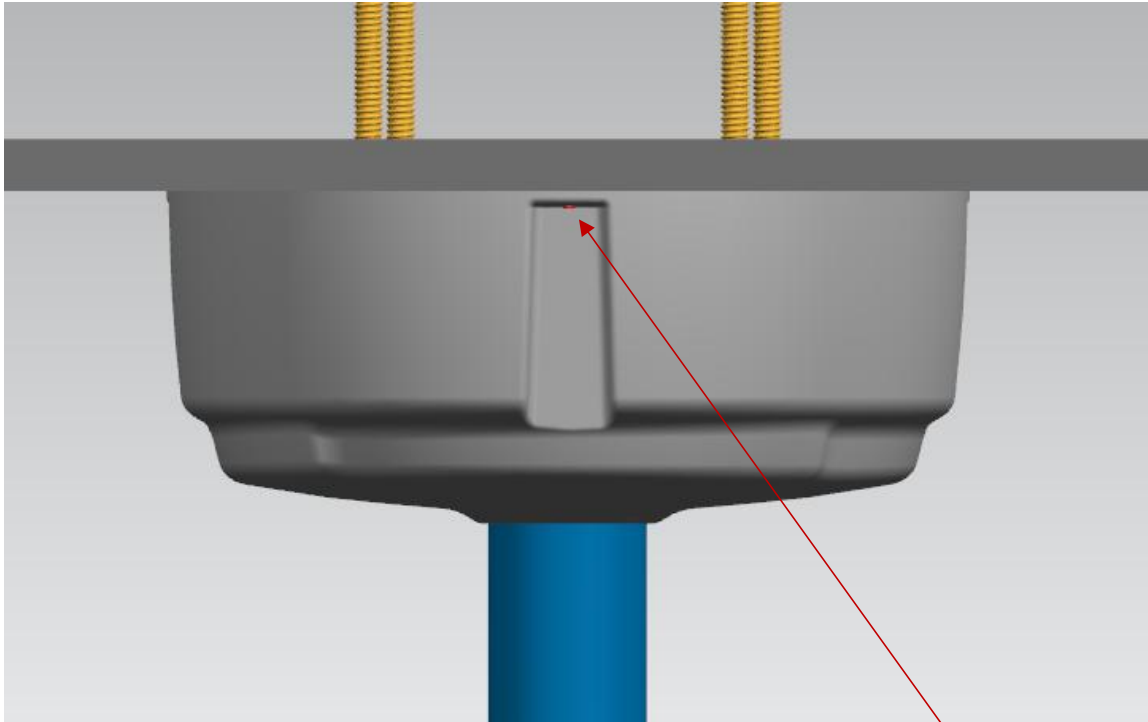


the length of hanging arm is customized accoring to the floor height

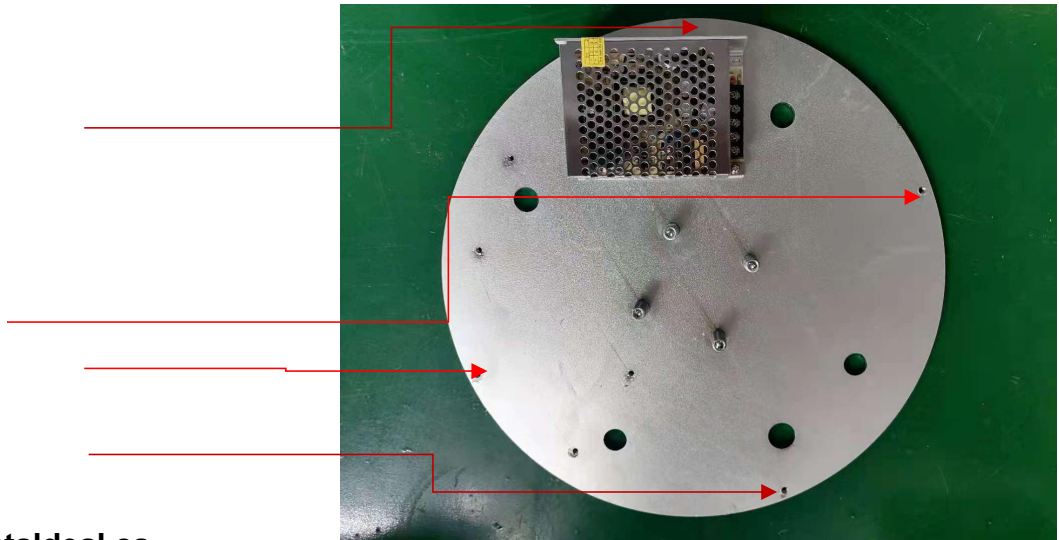
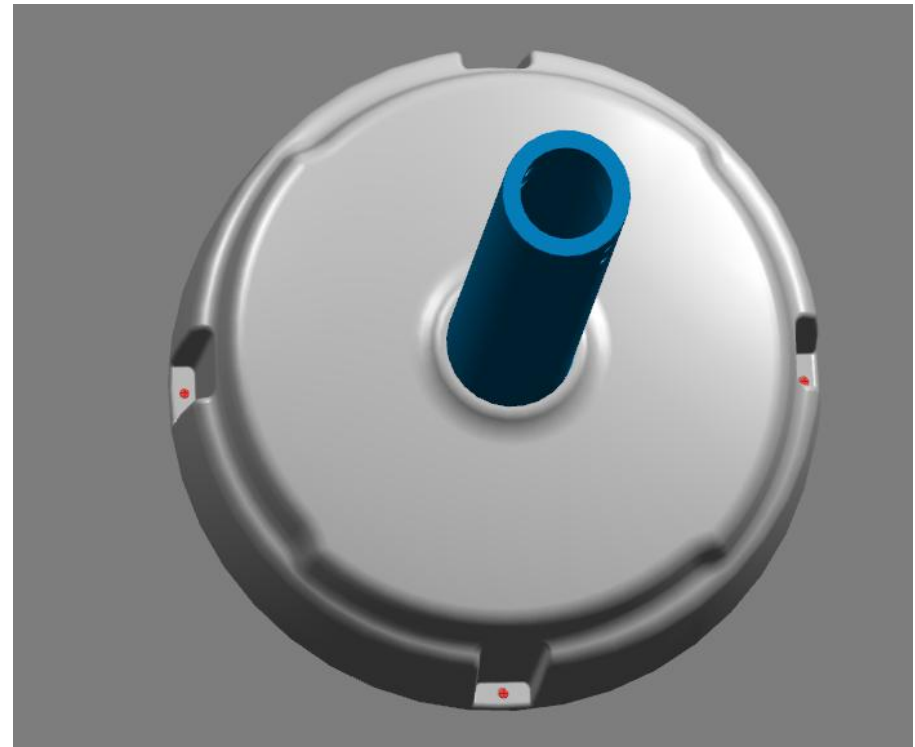


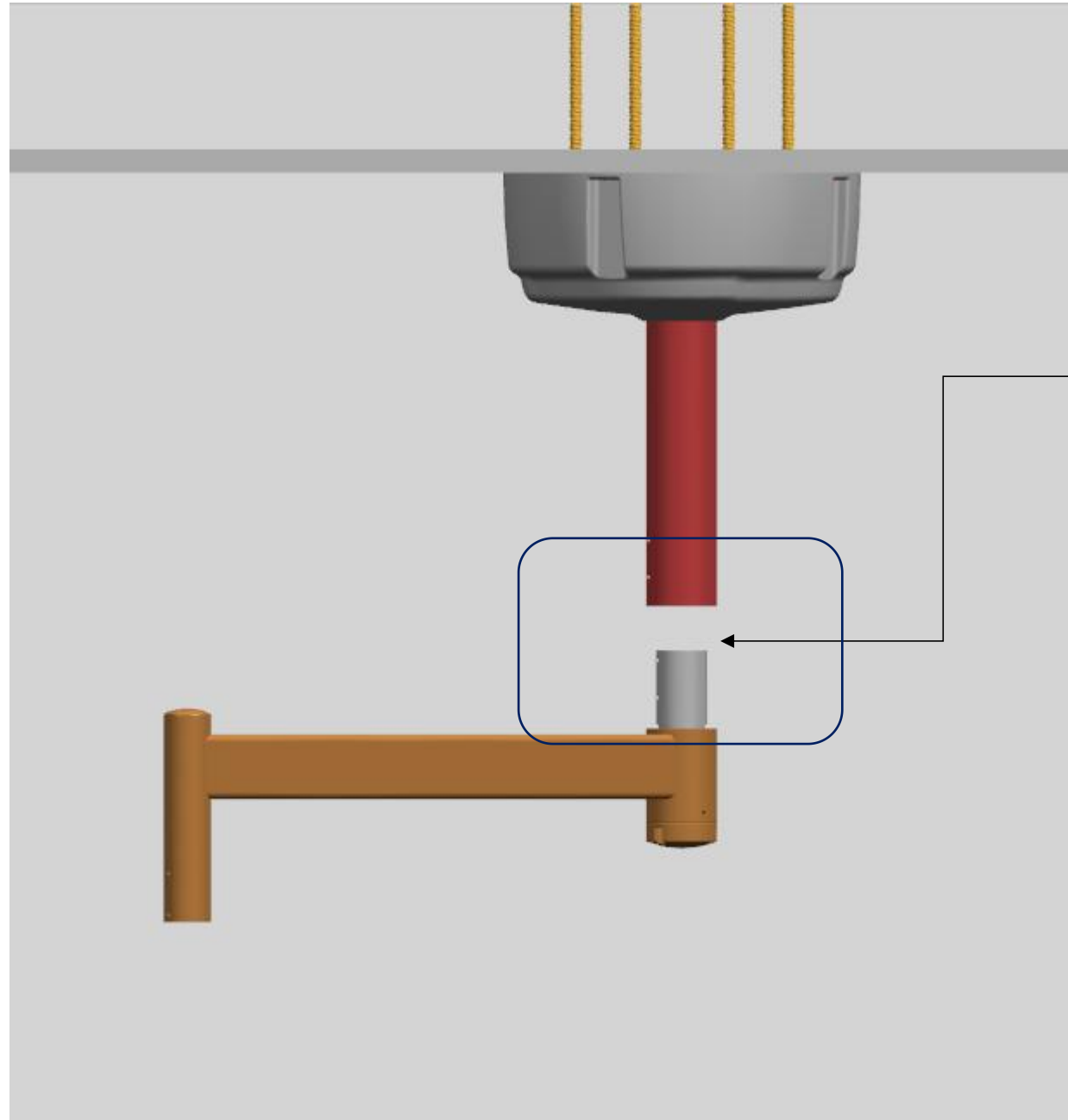
bottom board with power

4: Use the screws to fix the disk

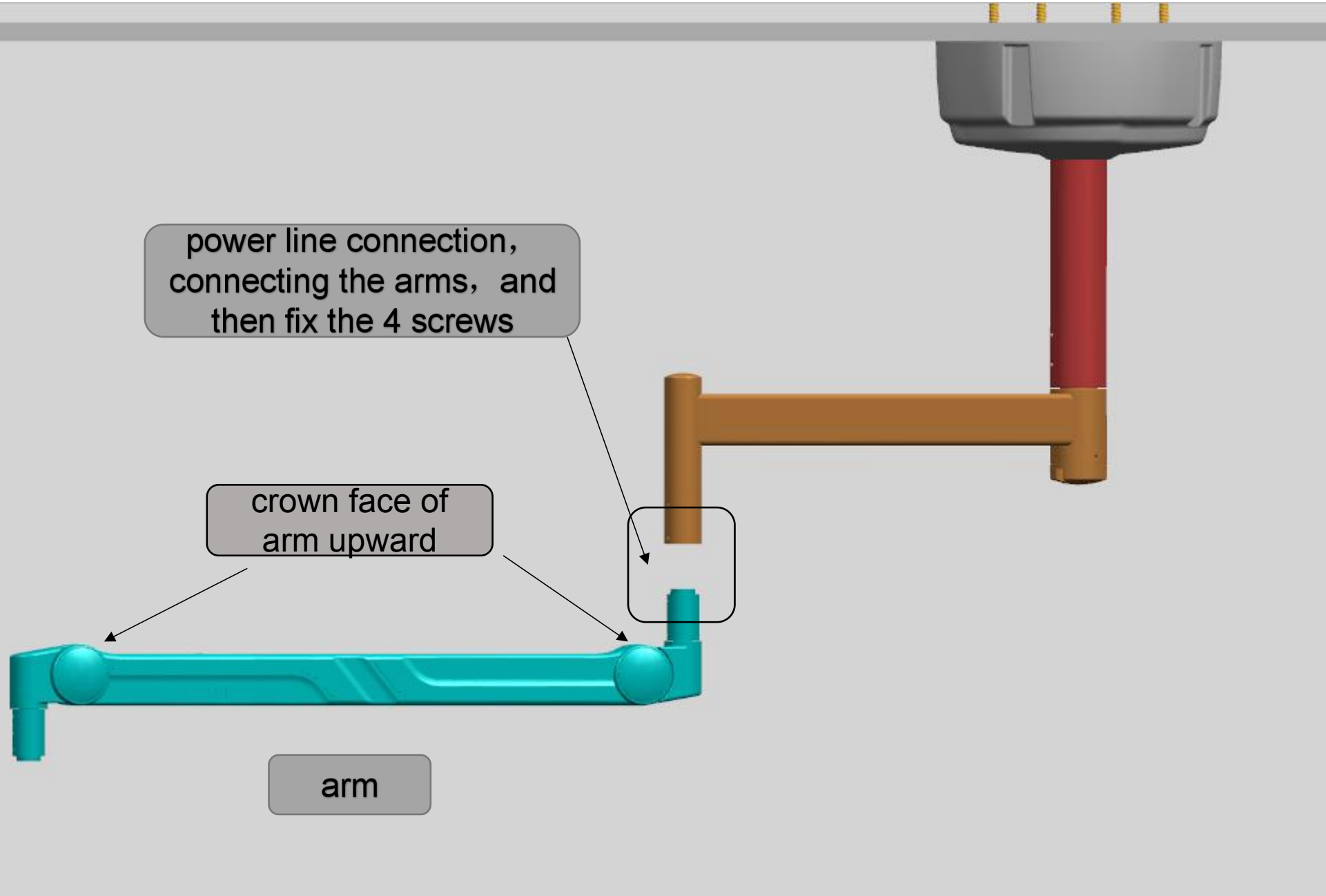


The fixed position
for 4 screws





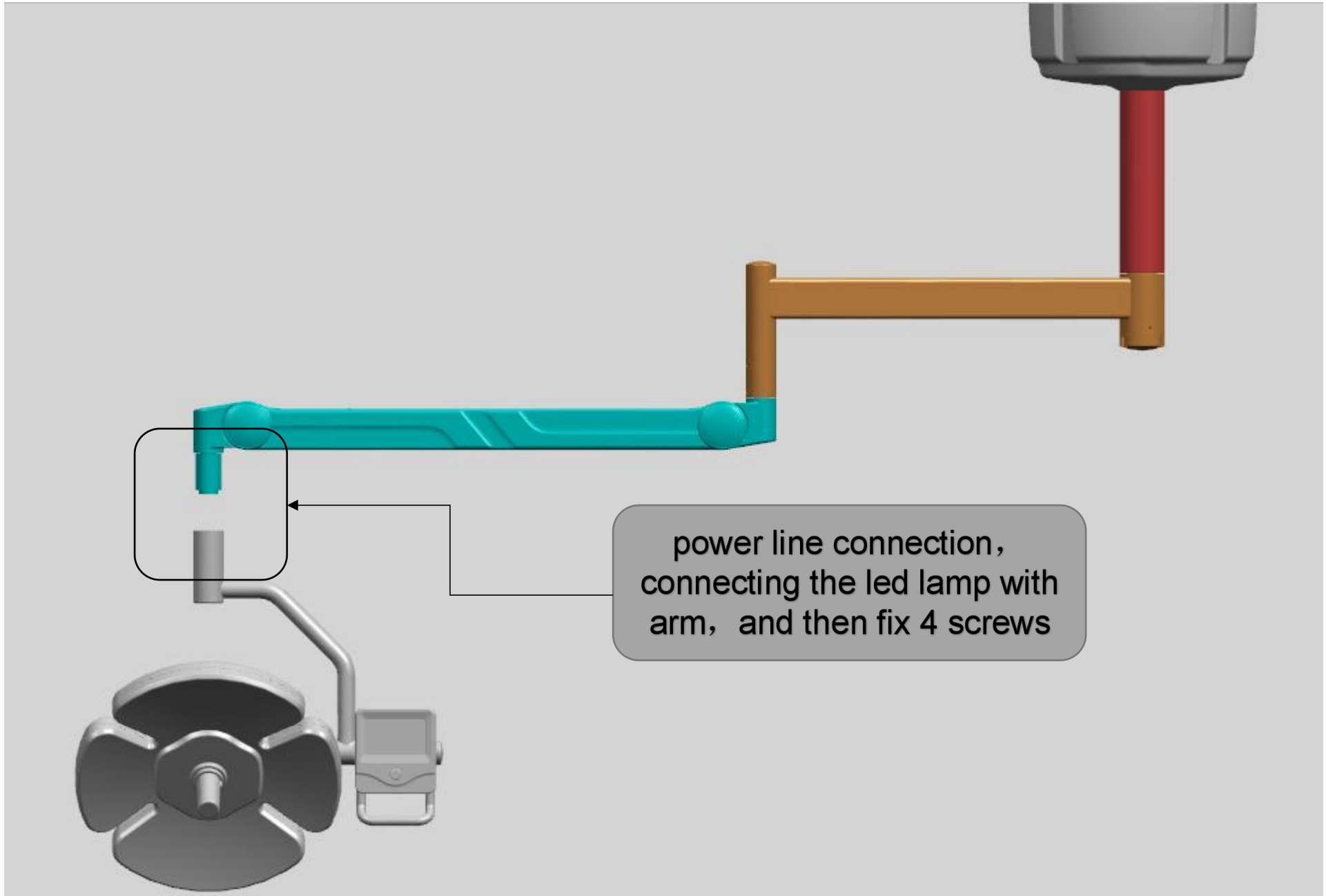
1: power line connection, connecting rotating arm with hanging arm, and then fix the 4 screws



power line connection,
connecting the arms, and
then fix the 4 screws

crown face of
arm upward

arm



power line connection,
connecting the led lamp with
arm, and then fix 4 screws